

# SK4-90



**LORENZO BARROSO**

# SK4-90

## SK4-90

High-production semiautomatic clipper, connected to the filler, for closing sausages in natural or artificial casings with two aluminium clips.

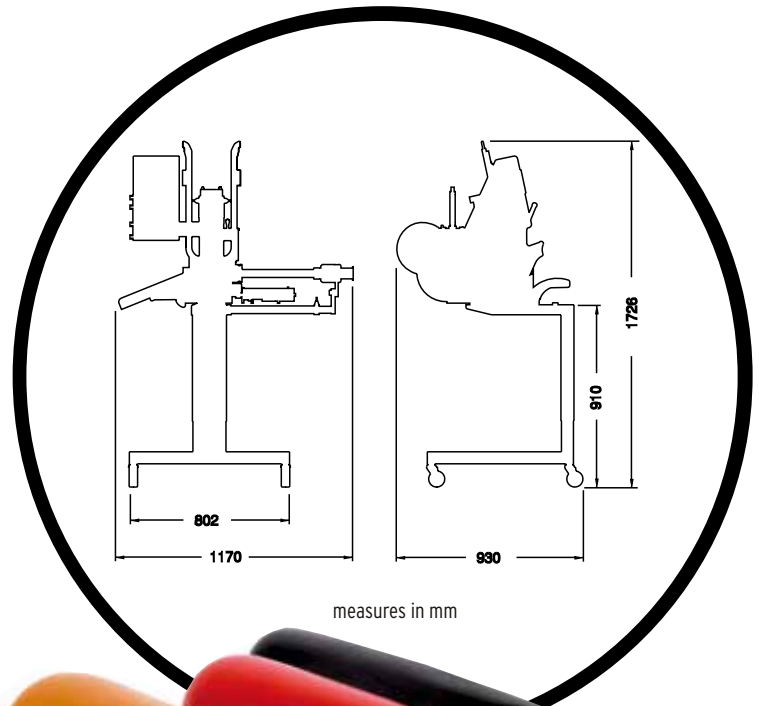
It closes a great variety of sausages and casings, ranging approximately from 45 mm up to 90 mm of diameter or more, depending on the product type.

Computer-controlled; it adapts to a wide range of products by just changing different selected sequences.

### Features:

- Robust construction and stainless components specially treated to withstand the adverse conditions such machines usually work in.
- Electropneumatic operation with PLC.
- Minimum maintenance.
- Our firm provides lubricant ALB-591 in spray and in can, which meet all EU and USA demanded requirements for its use in the Food Industry.

Following our standards, its devices and elements are protected by our own patents. In order to improve the machine, we reserve the right of modifications without prior notice.



### Technical data:

Net weight: 85 Kg.  
Operating pressure: 6 bar  
Air consumption: 7,8 liters/cycle  
Electric consumption: 140 W  
Electric connection: 50Hz 230V  
60Hz 275V

Model	Range of clips
H-3200 C25	H-3214, H-3216, H-3218

### Accessories:



Loops



MANUFACTURED BY:



**LORENZO BARROSO**

MANUFACTURER OF MACHINES AND CONSUMABLES SINCE 1958

Pol. Ind. El Cros | C/ Del Torrent de Madà, s/n | ES-08310 Argentona (Barcelona) Spain  
Apdo de Correos 73 | P.O. Box 73 | Tel. (+34) 937 998 300 | Fax. (+34) 937 998 288  
info@lorenzobarroso.com | www.lorenzobarroso.com

\*Images and contents are property of LORENZO BARROSO and any kind of reproduction is forbidden.