

HEMGRAP MANUAL



LORENZO BARROSO

HEMGRAP MANUAL

HEMGRAP MANUAL

Hand operated machine for closing natural or artificial casings, nettings and bags, full or empty, with an aluminium clip.

Features:

- Very easy to use, manual operation.
- No compressed air supply or electricity needed.
- Robust construction and stainless components specially treated to withstand the adverse conditions such machines usually work in.
- Minimum maintenance.
- Our firm provides lubricant ALB-591 in spray and in can, which meets all EU and USA demanded requirements for its use in the Food Industry.

Following our standards, its devices and elements are protected by our own patents. In order to improve the machine, we reserve the right of modifications without prior notice.

Technical Data:

Net weight: 9 Kg

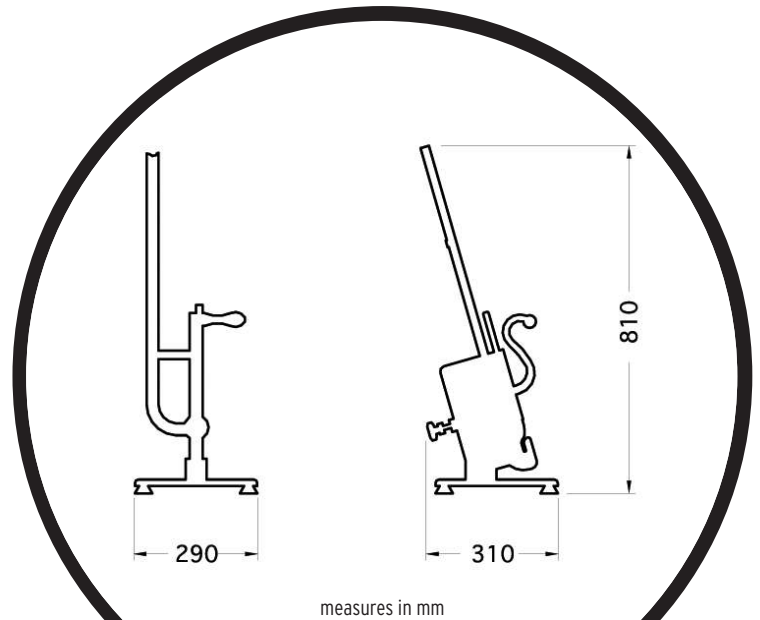
Model **Range of clips**

H-2700 H-2710, H-2712, H-2714, H-2716

Accessories:



Knife with stainless support



MANUFACTURED BY:

*Images and contents are property of LORENZO BARROSO and any kind of reproduction is forbidden.



LORENZO BARROSO

MANUFACTURER OF MACHINES AND CONSUMABLES SINCE 1958

Pol. Ind. El Cros | C/ Del Torrent de Madà, s/n | ES-08310 Argentona (Barcelona) Spain
Apdo de Correos 73 | P.O. Box 73 | Tel. (+34) 937 998 300 | Fax. (+34) 937 998 288
info@lorenzobarroso.com | www.lorenzobarroso.com